

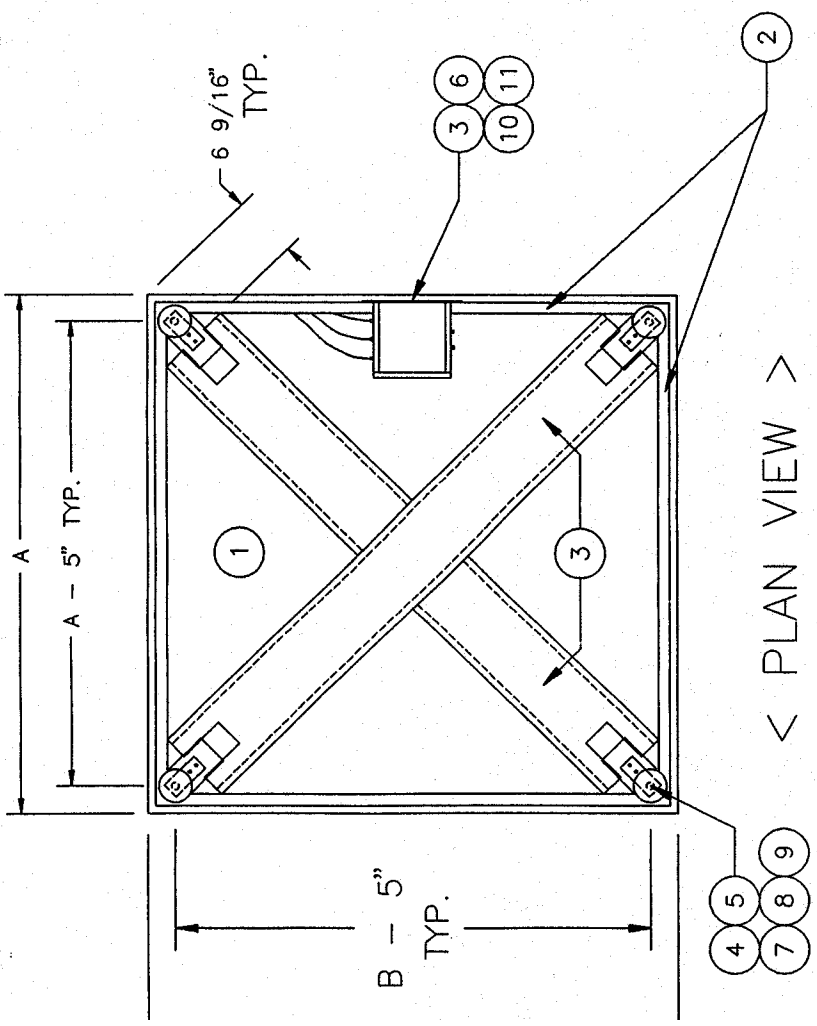
BILL OF MATERIALS

No.	Qty.	DESCRIPTION
1	1	1/4" 4-WAY PLATE, HOT ROLL
2	5	2" X 1" X 3/16" BAR CHANNEL
3	4	C 7" @ 9.8# CHANNEL
4	4	4" X 3" X 5/8" COLD ROLL PLATE
5	4	3/8" WASHER
6	1	2" X 1/4" X 6-3/4" BAR
7	8	1/2" - 13X1-3/4" GR. 5 BOLTS
8	4	FOOT ASSY. 1/2" - 20 SAE STUD, SWIVEL
9	4	SHEAR BEAM LOAD CELL
10	5	RUBBER GROMMETS
11	1	4-CELL SIG. TRIM CARD

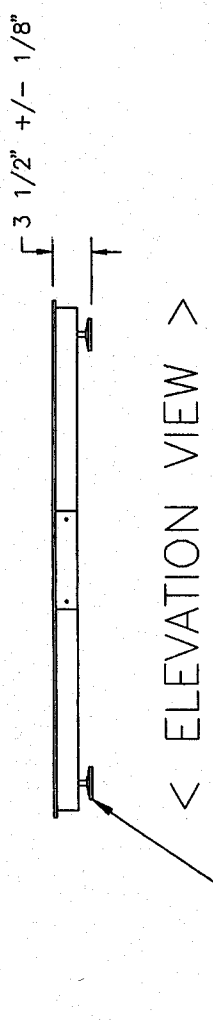
PLATFORM SIZE	(1,000 Lbs) CAPACITY	(INCHES)		(Lbs) SHIPPING WT.
		A	B	
2' x 2'	1, 2 & 5	24	24	100
3' x 3'	1, 2 & 5	36	36	260
4' x 4'	1, 2, 5 & 10	48	48	380
4' x 5'	1, 2, 5 & 10	48	60	460
4' x 6'	1, 2, 5 & 10	48	72	600
5' x 5'	1, 2, 5 & 10	60	60	600

NOTES:

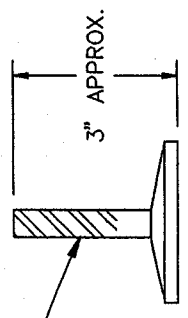
ALL METAL ASTM A-36, 4 WAY PLATE ASTM A-786.
 UTILIZES 4 EA. 2.5K SHEAR BEAM LOAD CELL.
 FILLER MATERIAL MIG WIRE 0.045-L-56 (5,000 DIV).
 STITCH-WELD 3" TO 6" ON STRUCTURAL MEMBERS,
 WELD CONTINUOUS ON MOUNT PLATES & J-BOX.



< PLAN VIEW >



< ELEVATION VIEW >



FOOT ASSEMBLY, TYP.